



- Features :
 - AC input 180 ~ 264VAC
 - AC input active surge current limiting
 - Protections: Short circuit / Overload / Over voltage / Over temperature
 - Forced air cooling by built-in DC ball bearing fan
 - High power density 7.8w/inch³
 - With DC OK signal output
 - Built-in remote ON-OFF control
 - Built-in remote sense function
 - UL / CUL approved
 - Low cost
 - 2 years warranty



■ GTIN CODE

MW Search: <https://www.meanwell.com/serviceGTIN.aspx>



SPECIFICATION

MODEL		SE-1500-5	SE-1500-12	SE-1500-15	SE-1500-24	SE-1500-27	SE-1500-48	
OUTPUT	DC VOLTAGE	5V	12V	15V	24V	27V	48V	
	RATED CURRENT	300A	125A	100A	62.5A	55.6A	31.3A	
	CURRENT RANGE	0 ~ 300A	0 ~ 125A	0 ~ 100A	0 ~ 62.5A	0 ~ 55.6A	0 ~ 31.3A	
	RATED POWER	1500W	1500W	1500W	1500W	1501.2W	1502.4W	
	RIPPLE & NOISE (max.) Note.2	150mVp-p	150mVp-p	150mVp-p	150mVp-p	150mVp-p	150mVp-p	
	VOLTAGE ADJ. RANGE	3.3 ~ 5.5V	10.8 ~ 13.5V	13.5 ~ 16.5V	21.6 ~ 26.4V	25 ~ 30V	43.2 ~ 56V	
	VOLTAGE TOLERANCE Note.3	±2.0%	±1.0%	±1.0%	±1.0%	±1.0%	±1.0%	
	LINE REGULATION	±0.5%	±0.5%	±0.5%	±0.5%	±0.5%	±0.5%	
	LOAD REGULATION	±2.0%	±0.5%	±0.5%	±0.5%	±0.5%	±0.5%	
	SETUP, RISE TIME	150ms, 12ms / 230VAC at full load						
HOLD UP TIME (Typ.)	26ms / 230VAC at full load							
INPUT	VOLTAGE RANGE	180 ~ 264VAC		254 ~ 370VDC				
	FREQUENCY RANGE	47 ~ 63Hz						
	EFFICIENCY (Typ.)	81%	85%	85%	87%	88%	89%	
	AC CURRENT (Typ.)	17.5A / 230VAC						
	INRUSH CURRENT (Typ.)	60A / 230VAC						
PROTECTION	OVERLOAD	105 ~ 125% rated output power Protection type : Shut down o/p voltage, re-power on to recover						
	OVER VOLTAGE	5.75 ~ 6.75V	14.5 ~ 16.2V	18 ~ 21V	27.6 ~ 32.4V	31 ~ 35V	57.6 ~ 67.2V	
	OVER TEMPERATURE	Shut down o/p voltage, recovers automatically after temperature goes down						
FUNCTION	DC_OK SIGNAL	PSU turn on:3.3V ~ 5.6V PUS turn off:0 ~ 1V						
	REMOTE CONTROL	RC+/RC-: 0 ~ 0.8V power on; 4 ~ 10V power off						
ENVIRONMENT	WORKING TEMP.	-20 ~ +70°C (Refer to "Derating Curve")						
	WORKING HUMIDITY	20 ~ 90% RH non-condensing						
	STORAGE TEMP., HUMIDITY	-40 ~ +85°C, 10 ~ 95% RH						
	TEMP. COEFFICIENT	±0.05%/°C (0 ~ 50°C)						
	VIBRATION	10 ~ 500Hz, 2G 10min./1cycle, 60min. each along X, Y, Z axes						
SAFETY & EMC (Note 4)	SAFETY STANDARDS	UL62368-1, BSMI CNS14336-1, EAC TP TC 004 approved; Design refer to BS EN/EN62368-1						
	WITHSTAND VOLTAGE	I/P-O/P:3KVAC I/P-FG:1.5KVAC O/P-FG:0.5KVAC						
	ISOLATION RESISTANCE	I/P-O/P, I/P-FG, O/P-FG:100M Ohms / 500VDC / 25°C / 70% RH						
	EMC EMISSION	Parameter	Standard				Test Level / Note	
		Conducted	BS EN/EN55032 (CISPR32)				Class A	
		Radiated	BS EN/EN55032 (CISPR32)				Class A	
		Harmonic Current	BS EN/EN61000-3-2				-----	
		Voltage Flicker	BS EN/EN61000-3-3				-----	
	EMC IMMUNITY	BS EN/EN55035, BS EN/EN61000-6-2						
		Parameter	Standard				Test Level / Note	
ESD		BS EN/EN61000-4-2				Level 3, 8KV air ; Level 2, 4KV contact		
Radiated		BS EN/EN61000-4-3				Level 3		
EFT / Burst		BS EN/EN61000-4-4				Level 3		
Surge		BS EN/EN61000-6-2				2KV/Line-Line 4KV/Line-Earth		
Conducted		BS EN/EN61000-4-6				Level 3		
Magnetic Field		BS EN/EN61000-4-8				Level 4		
Voltage Dips and Interruptions	BS EN/EN61000-4-11				>95% dip 0.5 periods, 30% dip 25 periods, >95% interruptions 250 periods			
OTHERS	MTBF	999.9K hrs min. Telcordia SR-332 (Bellcore) ; 134.5K hrs min. MIL-HDBK-217F (25°C)						
	DIMENSION	278*177.8*63.5mm (L*W*H)						
	PACKING	3.3Kg; 4pcs/14.2Kg/1.14CUFT						

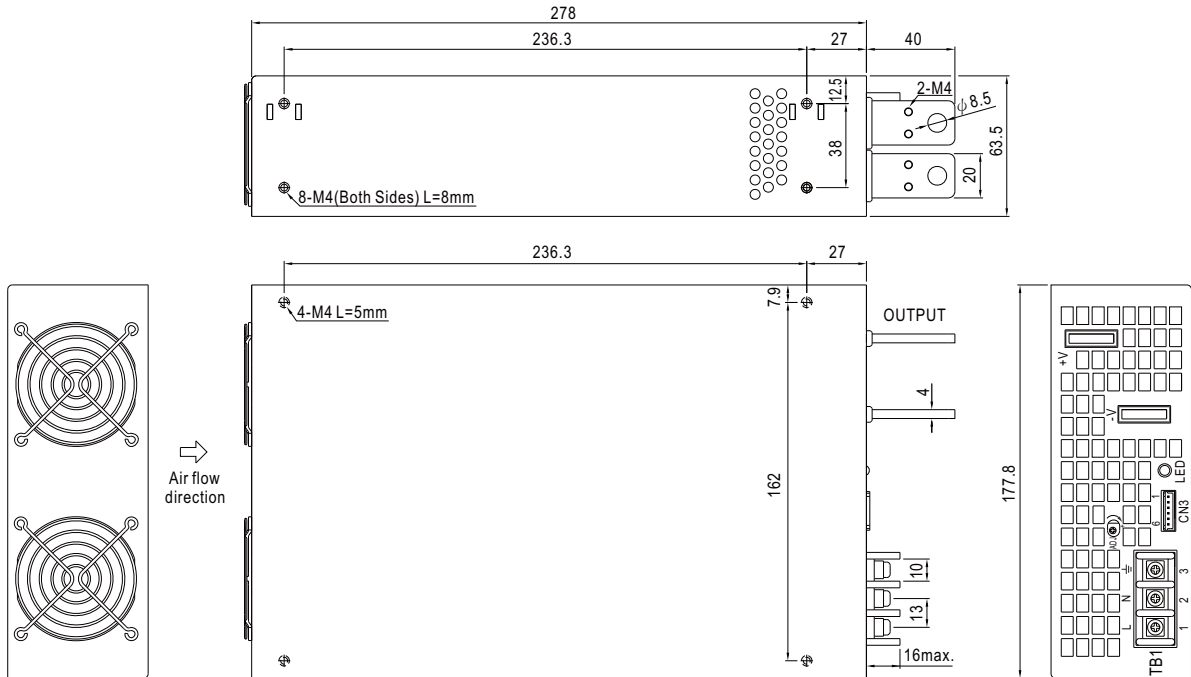
NOTE

1. All parameters NOT specially mentioned are measured at 230VAC input, rated load and 25°C of ambient temperature.
2. Ripple & noise are measured at 20MHz of bandwidth by using a 12" twisted pair-wire terminated with a 0.1uF & 47uF parallel capacitor.
3. Tolerance : includes set up tolerance, line regulation and load regulation.
4. The power supply is considered a component which will be installed into a final equipment. All the EMC tests are been executed by mounting the unit on a 720mm*360mm metal plate with 1mm of thickness. The final equipment must be re-confirmed that it still meets EMC directives. For guidance on how to perform these EMC tests, please refer to "EMI testing of component power supplies." (as available on <http://www.meanwell.com>)
5. The ambient temperature derating of 3.5°C/1000m with fanless models and of 5°C/1000m with fan models for operating altitude higher than 2000m(6500ft).
6. This power supply does not meet the harmonic current requirements outlined by EN61000-3-2. Please do not use this power supply under the following conditions:
 - a) the end-devices is used within the European Union, and
 - b) the end-devices is connected to public mains supply with 220Vac or greater rated nominal voltage, and
 - c) the power supply is:
 - installed in end-devices with average or continuous input power greater than 75W, or
 - belong to part of a lighting system
 Exception:
 Power supplies used within the following end-devices do not need to fulfill EN61000-3-2
 - a) professional equipment with a total rated input power greater than 1000W;
 - b) symmetrically controlled heating elements with a rated power less than or equal to 200W

※ Product Liability Disclaimer : For detailed information, please refer to <https://www.meanwell.com/serviceDisclaimer.aspx>

Mechanical Specification

Case No.982A Unit:mm



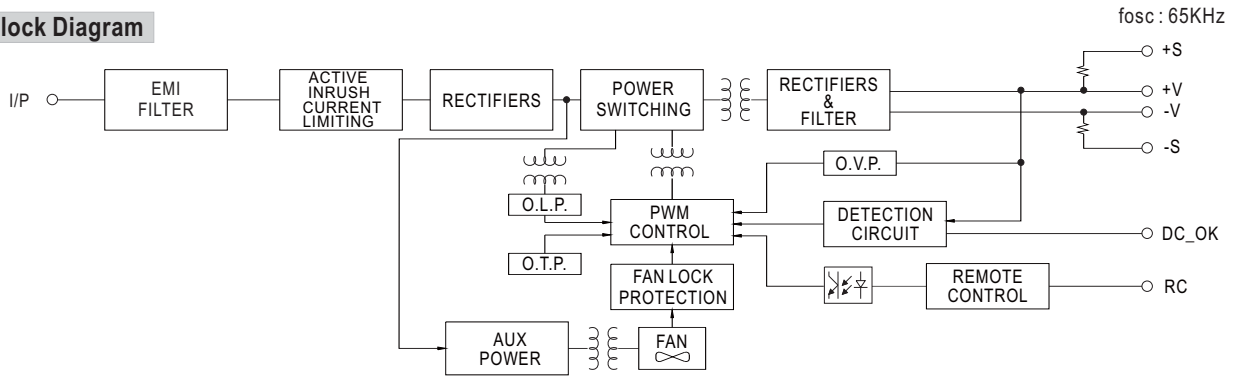
Terminal Pin No. Assignment :

Pin No.	Assignment
1	AC/L
2	AC/N
3	FG \perp

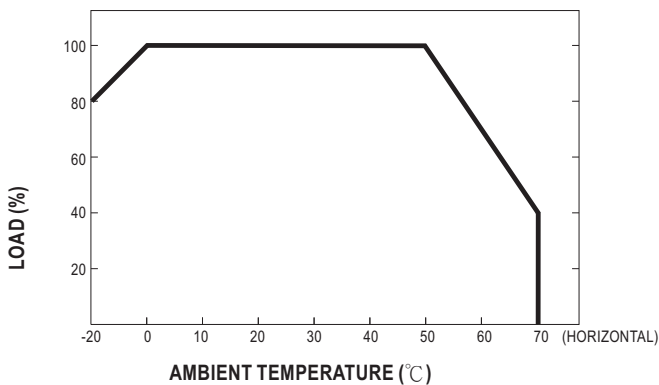
Control Pin (CN3) : JST B6B-XH or equivalent

Pin No.	Assignment	Pin No.	Assignment	Mating Housing	Terminal
1	DC_OK Signal	4	+S	JST XHP or equivalent	JST SXH-001T or equivalent
2	DC_OK GND	5	RC-		
3	-S	6	RC+		

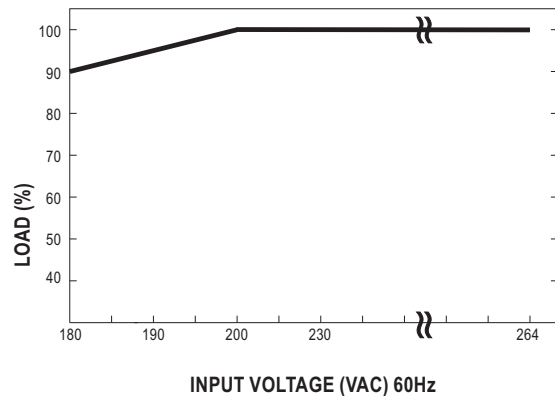
Block Diagram



Derating Curve



Static Characteristics



■ Function Description of CN3

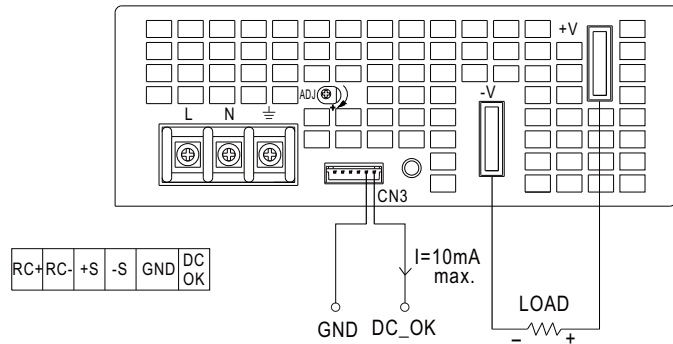
Pin No.	Function	Description
1	DC_OK	DC_OK signal is a TTL level signal, referenced to pin2(DC_OK GND). "High" when PSU turns on.
2	GND	This pin connects to the negative terminal (-V). Return for DC_OK signal output.
3	-S	Negative sensing. The -S signal should be connected to the negative terminal of the load. The -S and +S leads should be twisted in pair to minimize noise pick-up effect.
4	+S	Positive sensing. The +S signal should be connected to the positive terminal of the load. The +S and -S leads should be twisted in pair to minimize noise pick-up effect.
5	RC-	Return for RC+ signal input.
6	RC+	Turns the output on and off by electrical or dry contact between pin 6 (RC+) and pin 5 (RC-). 0~0.8V: Power ON, 4~10V: Power OFF.

■ Function Manual

1. DC_OK Signal

DC_OK Signal is a TTL level signal. "High" when PSU turns on.

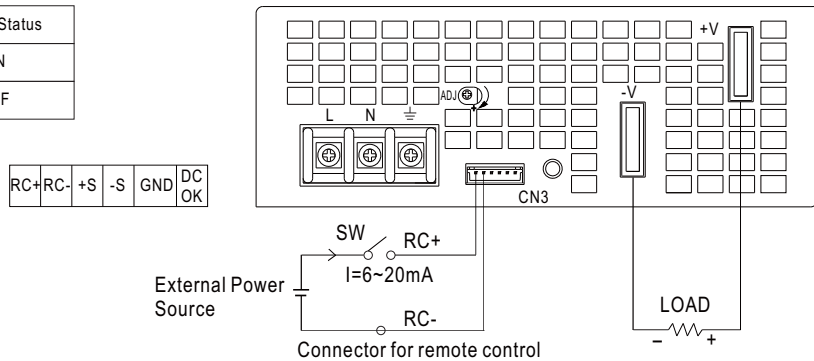
Between DC_OK(pin1) and GND(pin2)	Output Status
3.3 ~ 5.6V	ON
0 ~ 1V	OFF



2. Remote Control

The PSU can be turned ON/OFF by using the "Remote Control" function.

Between RC+(pin6) and RC-(pin5)	Output Status
SW OFF (0 ~ 0.8V)	ON
SW ON (4 ~ 10V)	OFF



3. Remote Sense

